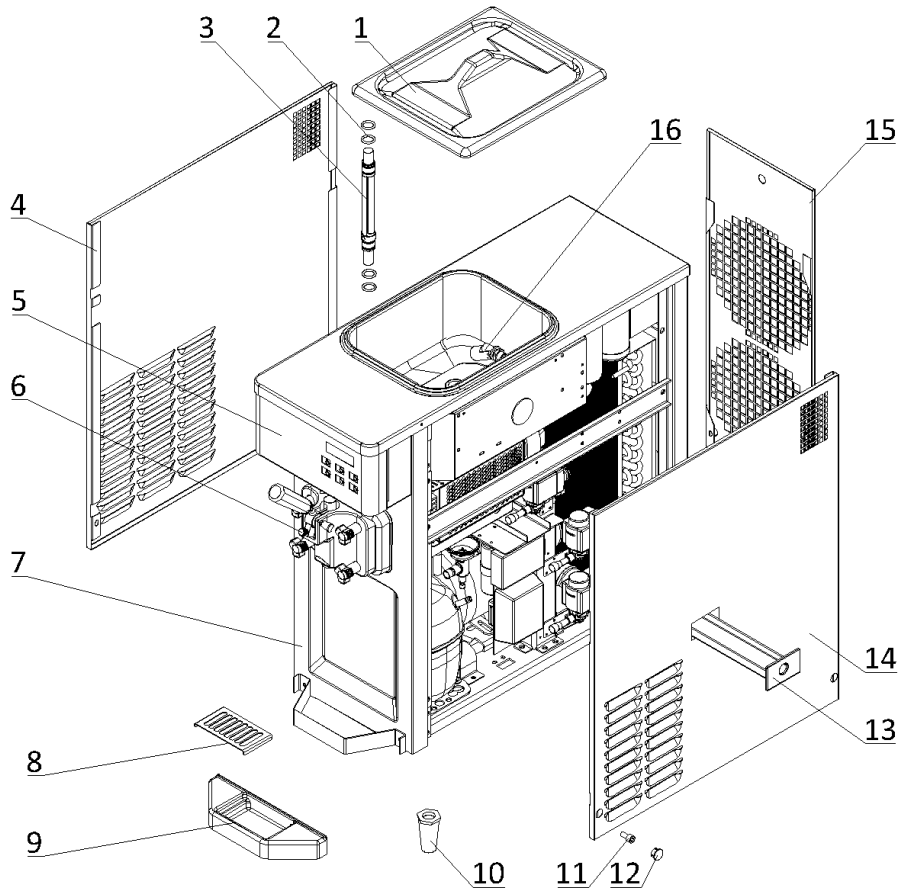


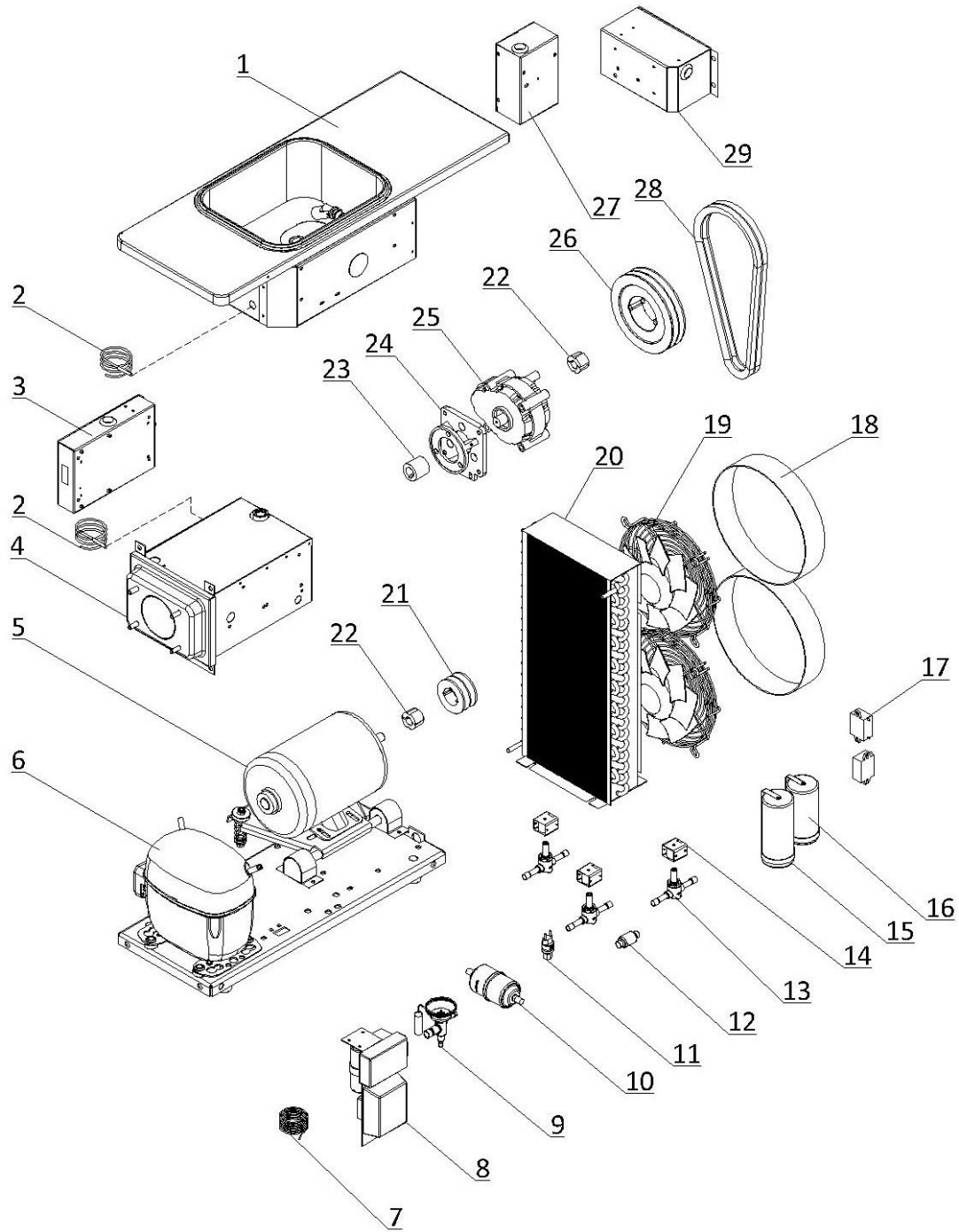
1. External Parts



1. External Parts

Item	Part Number	Description	Qty.
1	3.4.03.01.001	Hopper Lid - 8L	1
2	3.4.08.01.002	O-Ring - 18x2.2	4
3	2.1.3.39.0010	Air Tube - SS - Short - V3	1
4	2.3.4.28.091	Panel - Left - 6210-C/AC - R04	1
5	Page 6	Draw Switch and Front Control Panel	1
6	Page 5	Dispensing Door and Beater	1
7	2.3.4.26.086	Panel - Lower Front - 6210-C/AC - R04	1
8	2.3.6.03.024	Splash Shield - Front Drip Tray - 255mm	1
9	3.4.04.01.004	Front Drip Tray - 255mm	1
10	3.3.05.03.005	Leg - 68mm	4
11	3.6.11.044	Panel Screw - M6x10	6
12	3.4.07.01.041	Bolt Hole Cover - Silicone	6
13	3.4.04.02.003	Internal Drip Tray - 243mm	1
14	2.3.4.30.075	Panel - Right - 6210-C/AC - R04	1
15	2.3.4.23.102	Panel - Rear - 6210-C/AC - R04	1
16	920.1.04.0002	Mix Low Sensor Assembly	1

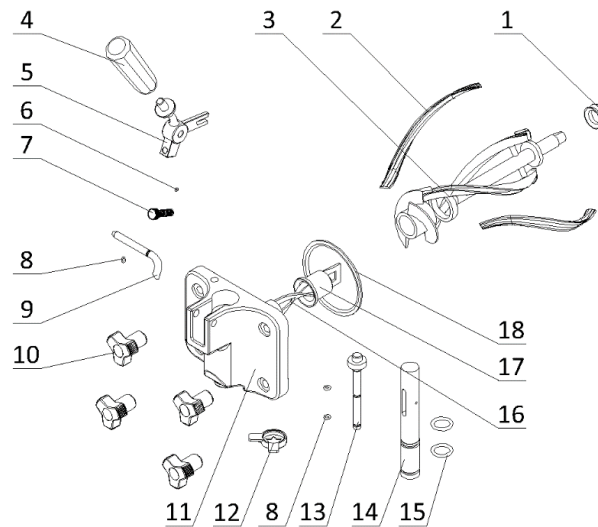
2. Internal Parts



2. Internal Parts

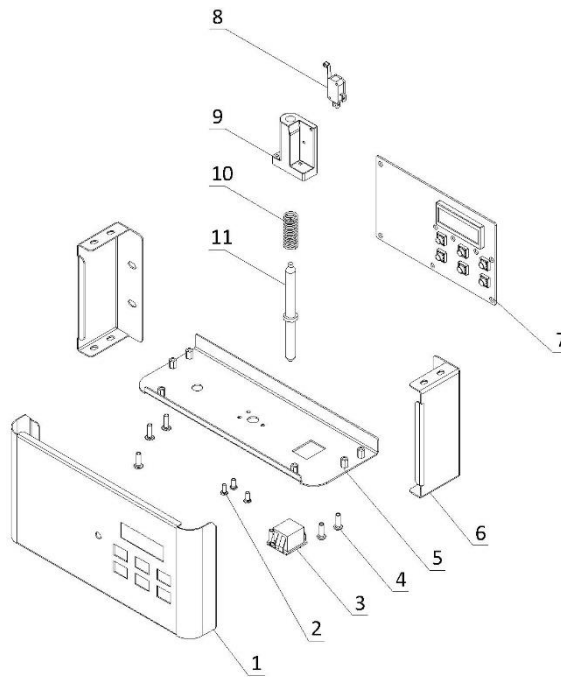
Item	Part Number	Description	Qty.
1	2.1.1.02.0061	Hopper Assembly - 6210-C	1
2	3.1.02.13.020	Temperature Probe - PT100	2
3	Page 7	Control Box	1
4	2.1.1.06.0157	Cylinder Assembly - 1F - 1.3qt	1
5	3.3.01.07.011	Motor - 115/60/1 - 450W - K56AC67F41	1
6	3.2.01.02.028.A	Primary Compressor - SC18CLX.2	1
7	3.2.05.01.008	Capillary Tube - 2.07×1.07	1
8	3.2.01.04.014	Start Component - Compressor - SC18CLX.2	1
9	3.2.04.01.032	Thermal Expansion Valve - DANFOSS-T2	1
10	3.2.04.05.002	Filter Drier - Cylinder - DML083S	1
11	3.2.04.06.004	High Pressure Switch - 350~500psi	1
12	3.2.04.05.012	Copper Strainer Filter - φ9.52	1
13	3.2.04.04.058	Solenoid Valve Body - KDF6H01	3
14	3.2.04.04.070	Solenoid Coil - FQ-A05120-001098	3
15	3.1.02.22.063	Capacitor - Start - 165V - 416.5μF	1
16	3.1.02.22.010	Capacitor - Running - 370V - 50μF	1
17	3.2.03.04.007-2	Capacitor - Fan Motor - 450V - 5μF - MKPS	2
18	2.1.3.50.0074	Fan Shroud - 77cm	2
19	3.2.03.04.007	Fan Motor - 110/60/1 - YWF4E200S-92/15-GBB-01	2
20	3.2.02.01.029	Main Condenser - Single - 5m ² - 6210-C - V2	1
21	3.3.04.02.001	Pulley - Beater Motor - SPA63-2-1008	1
22	3.3.04.01.005	Bushing - 1008-16	2
23	3.3.02.03.004	Coupling Drive - 1.3-1.8qt - 20mm - V3	1
24	2.1.3.15.0009	Bracket - Gear Box - 1.3-1.8qt - 89mm	1
25	3.3.02.01.033	Gear Box - 1:4.92 - 75*20 Shaft - 89mm	1
26	3.3.04.02.022	Pulley - Gear Box - SPA155-2-1008	1
27	Page 8	Electrical Box #2	1
28	3.3.03.01.022	Belt - Motor to Beater - V-XPA850	1
29	Page 8	Electrical Box #1	1

3. Dispensing Door and Beater



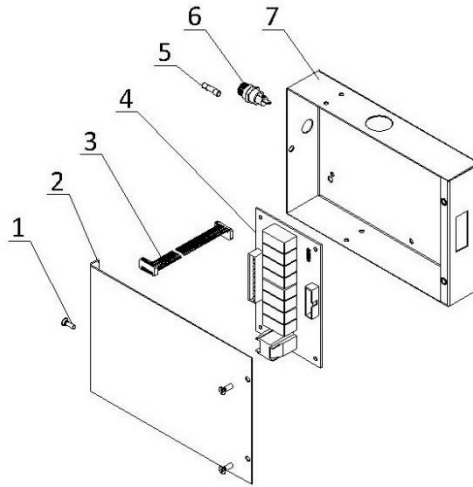
Item	Part Number	Description	Qty.
1	3.4.07.05.003	Gasket - Beater - $\phi 33$	1
2	3.4.02.02.010	Helix Beater Blade - 1.3qt - V5	1
3	2.1.1.25.0015	Double Helix Beater - 1.3qt - V5	1
4	3.4.05.01.001	Handle - Dispensing - SS	1
5	2.1.3.26.0004	Seat - Handle - 1F - 1.3-1.8qt	1
6	3.4.08.01.012	O-Ring - 3x1.5	1
7	3.6.39.008	Adjustment Screw - Handle - 34mm	1
8	3.4.08.01.013	O-Ring - 5.2x1.9	3
9	2.1.3.27.0026	Retention Pin - Handle - 1F - 1.3qt - L	1
10	3.4.05.02.012	Hand Screw - Small - Dispensing	4
11	2.1.3.14.0030	Dispensing Door - SS - 1F - 1.3qt - V3	1
12	3.4.05.03.004	Design Cap - Double Triangle - 31mm	1
13	2.1.3.02.0015	Prime Plug - SS - Standard	1
14	2.1.3.01.0002	Draw Valve - SS - 1F - 1.3/1.8qt	1
15	3.4.08.01.006	O-Ring - 16.8x2.4	2
16	2.1.1.11.0013	Helix Beater Rod - 1.3qt	1
17	3.4.01.03.013	Helix Beater Guide - 1.3-1.8qt	1
18	3.4.08.02.007	Door Gasket - SS - 1.3-1.8qt	1

4. Draw Switch and Front Control Panel



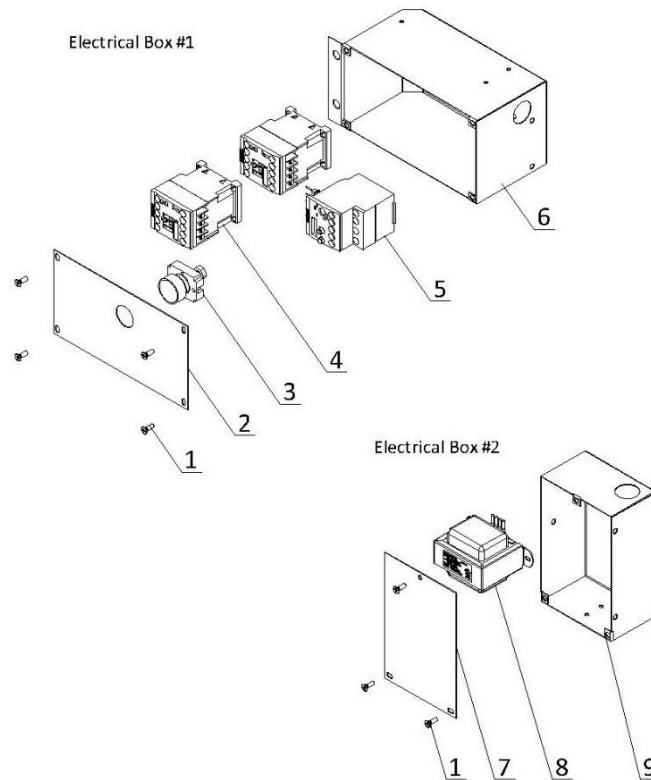
Item	Part Number	Description	Qty.
1	2.3.4.36.033.B	Panel - Overhead Front - 1F - 1.3qt - w/sticker - R2	1
2	3.6.22.028	Screw - M4x12	3
3	3.1.03.03.003	Rocker Switch - RK1-01 2X2	2
4	3.6.22.010	Screw - M5x10	6
5	2.3.4.39.052	Panel - Overhead Bottom - 6210-C	1
6	2.3.4.37.041	Panel - Overhead - Side - 6210-C	2
7	920.1.01.0006-2	Control Board - SS - V2.152 - Horizontal - V2 6210-C	1
8	3.1.03.01.002	Micro Switch - KW-7-2	1
9	3.4.07.06.008	Bracket - Micro Switch&Shaft&Spring	1
10	3.6.03.012	Spring - Shaft - Draw Switch	1
11	2.1.3.50.0073	Shaft - Draw Switch - 126.3mm	1

5. Control Box



Item	Part Number	Description	Qty.
1	3.6.19.001	Screw - M4x8	3
2	2.2.4.20.0076	Cover - Control Box - 6210-C/AC	1
3	3.1.04.01.003	Ribbon Cable - 20 Pin	1
4	2.2.1.01.0040	Power Board - SS - V2.154	1
5	3.1.02.08.001	Fuse - 1A	1
6	3.1.02.08.012	Seat - Fuse - 250V	1
7	2.2.4.17.0088	Control Box - 6210-C	1

6. Electrical Box



Item	Part Number	Description	Qty.
1	3.6.19.001	Screw - M4×8	7
2	2.2.4.20.0075	Cover - Electrical Box 1 - 6210-C/AC	1
3	3.1.03.04.002	Reset Button - Thermal Overload	1
4	3.1.01.01.011	Contactor - 3RT6017-1AF01	2
5	3.1.01.02.012	Thermal Overload Relay - 3RU6116-1HB0	1
6	2.2.4.17.0087	Electrical Box 1 - 6210-C/AC	1
7	2.2.4.20.0077	Cover - Electrical Box 2 - 6210-C/AC	1
8	3.1.01.04.014	Transformer - 50W - LTT5032OF-31	1
	3.1.01.04.007	Transformer - 50W - 50313MW-32 (Alternative)	1
9	2.2.4.17.0089	Electrical Box 2 - 6210-C/AC	1