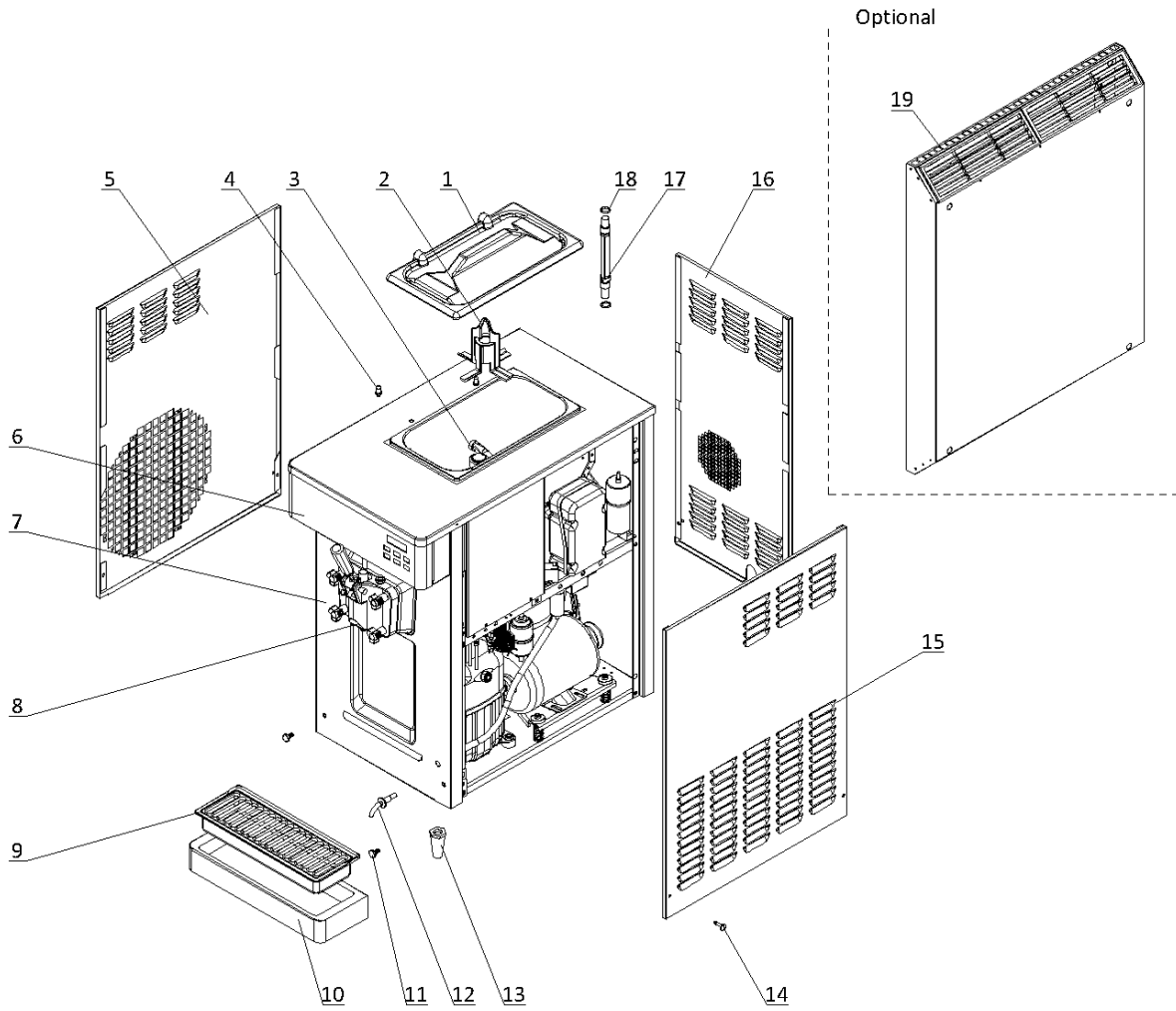


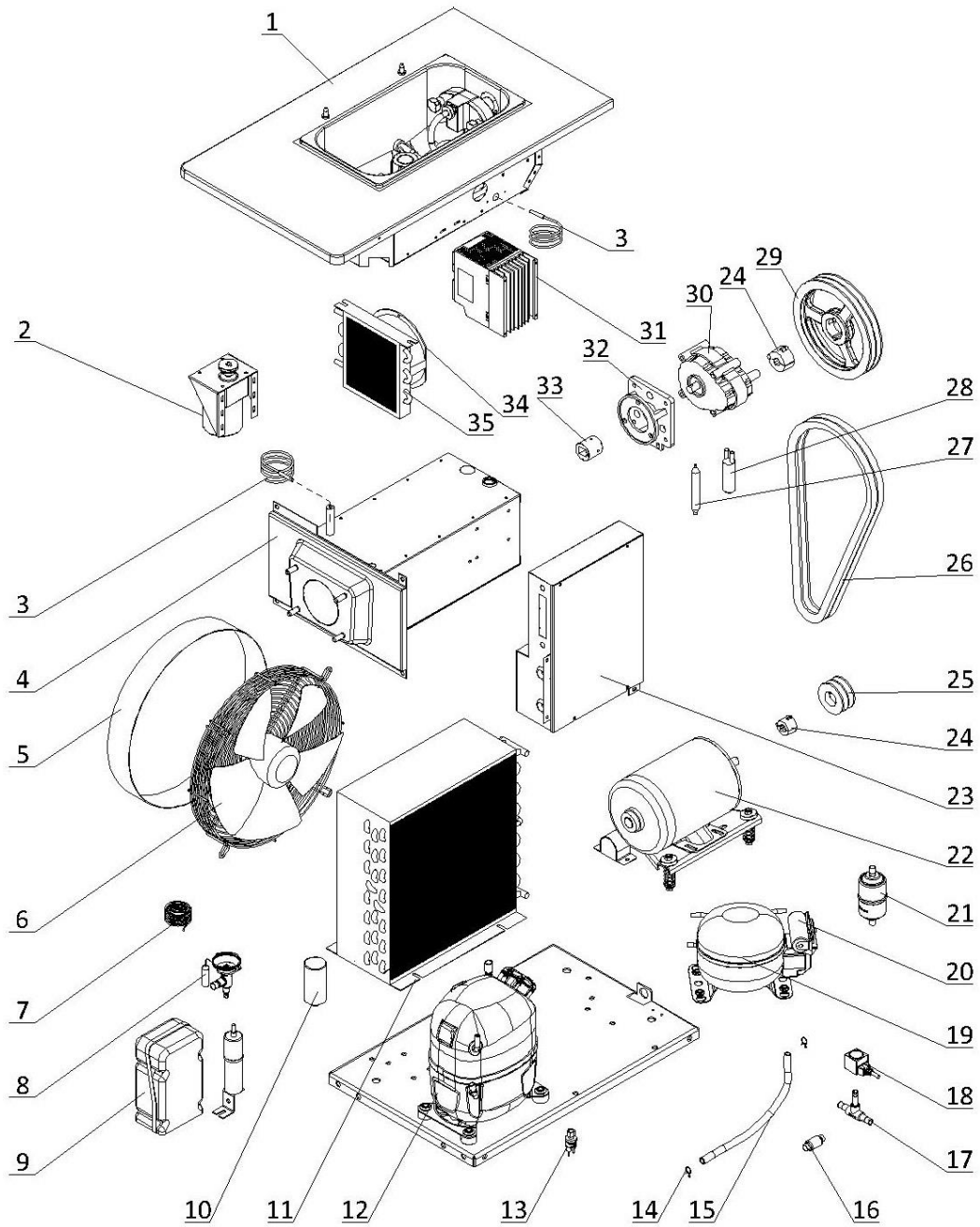
1. External Parts



1. External Parts

Item	Part Number	Description	Qty.
1	3.4.03.01.006	Hopper Lid - 19L	1
2	Page 7	Hopper Agitator	1
3	920.1.04.0002	Mix Low Sensor Assembly	1
4	3.6.39.011	Hopper Lid Holder	2
5	2.3.4.28.089	Panel - Left - 6236-C/AC - R02	1
6	Page 6	Draw Switch and Front Control Panel	1
7	2.3.4.26.083	Panel - Lower Front - 6236-C/AC - R02	1
8	Page 5	Dispensing Door and Beater	1
9	3.4.04.01.017	Front Drip Tray - 410mm	1
10	2.3.4.45.670	Support - Front Drip Tray - 6236-C/AC	1
11	3.6.39.004	Drip Tray Mounting Bolt	2
12	2.1.1.20.0124	Drain Nozzle - Front	1
13	3.3.05.03.005	Leg - 68mm	4
14	920.2.11.0002	Quarter-Turn Fastener	6
15	2.3.4.30.074	Panel - Right - 6236-C/AC - R02	1
16	2.3.4.23.101	Panel - Rear - 6236-C/AC - R02	1
17	2.1.3.39.0022	Air Tube - SS - 262mm	1
18	3.4.08.01.002	O-Ring - 18x2.2	2
19	920.1.08.0008	Air Chute Assembly - 6236-C/AC (Optional)	1

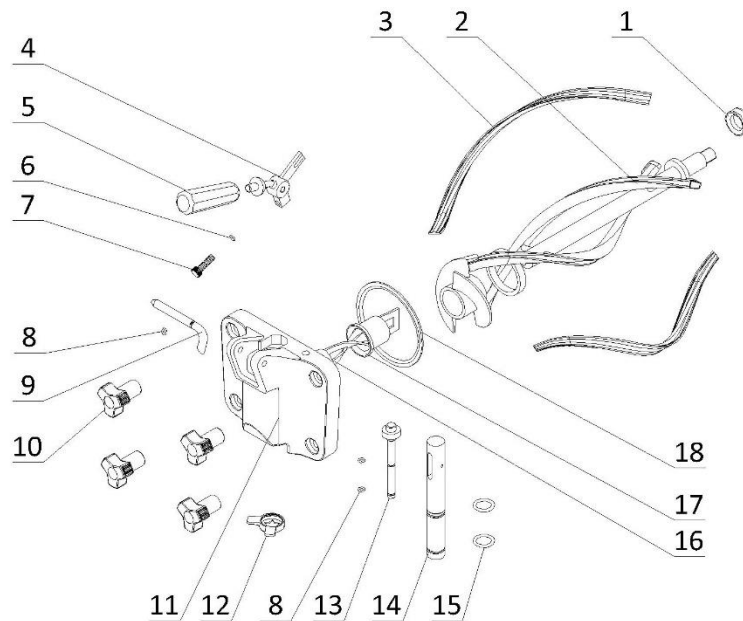
2. Internal Parts



2. Internal Parts

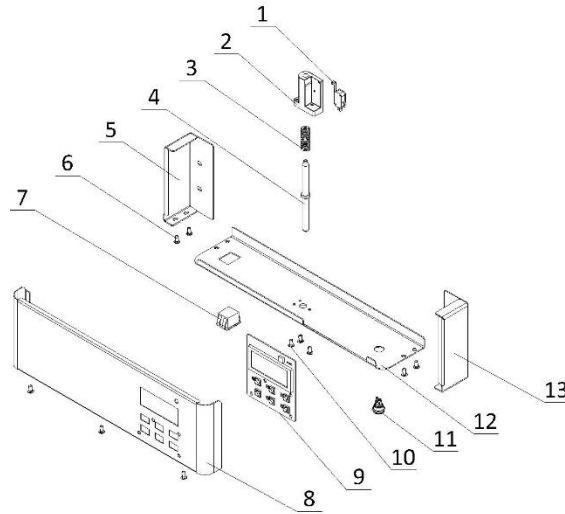
Item	Part Number	Description	Qty.
1	2.1.1.03.0137	Hopper Assembly - 6236-C - R02	1
2	Page 7	Agitator Motor Assembly	1
3	3.1.02.13.020	Temperature Probe - PT100	2
4	2.1.1.06.0205	Cylinder Assembly - 1F - 3.4qt	1
5	2.1.3.50.0002	Fan Shroud - 123cm	1
6	3.2.03.04.001	Fan Motor - 220/60/1 - YWF4E-350S	1
7	3.2.05.01.003	Capillary Tube - 2.2×0.9	1
8	3.2.04.01.012	Thermal Expansion Valve - TUB2132	1
9	3.2.01.04.024	Start Component - Compressor - CAJ4519Z	1
10	3.2.03.04.001-2	Capacitor - Fan Motor - 450V - 5μF - CBB60	1
11	3.2.02.01.005	Main Condenser - Single - 8m ² - 410x410x150	1
12	3.2.01.02.042.A	Primary Compressor - CAJ4519Z	1
13	3.2.04.06.004	High Pressure Switch - 350~500psi	1
14	3.6.05.024	Squeeze Clamp - Drain Hose - M13	2
15	3.7.06.025-4	Drain Hose - φ9×14 - 600mm	1
16	3.2.04.05.013	Copper Strainer Filter - φ12	1
17	3.2.04.04.004	Solenoid Valve Body - EVU6 - 6W	1
18	3.2.04.04.072	Solenoid Coil - 042N4201	1
19	3.2.01.01.005.A	Auxiliary Compressor - TL3G	1
20	3.2.01.01.005-1	Start Component - Compressor - TL3G	1
21	3.2.04.05.002	Filter Drier - Cylinder - DML083S	1
22	3.3.01.04.009	Motor - 220/60/3 - 750W - P63LVGBD-1184	1
23	Page 8	Electrical Box	1
24	3.3.04.01.005	Bushing - 1008-16	1
25	3.3.04.02.001	Pulley - Beater Motor - SPA63-2-1008	1
26	3.3.03.01.032	Belt - Motor to Beater - V-XPA1090	2
27	3.2.04.05.001	Filter Drier - Hopper - 16×2.2×120	1
28	3.2.04.07.001	Suction Accumulator - 25×100×0.6	1
29	3.3.04.02.007	Pulley - Gear Box - SPA182-2-1008	1
30	3.3.02.01.028	Gear Box - 1:4.2 - 45*20 Shaft - 89mm	1
31	3.1.01.08.006	Inverter - 0.75kW - EFC3610-0K75-1P2-MDA	1
	3.1.01.08.019	Inverter - 0.75kW - MD200S0.75B-NC (Alternative)	1
32	2.1.3.15.0004	Bracket - Gear Box - 3.4-7.3qt - 89mm	1
33	3.3.02.03.006	Coupling Drive - 3.4qt-4.0qt-7.3qt - 20mm - V3	1
34	3.2.03.01.005	Fan Motor - UF-1751B22H	1
35	3.2.02.01.001	Auxiliary Condenser - Single - 0.7m ²	1

3. Dispensing Door and Beater



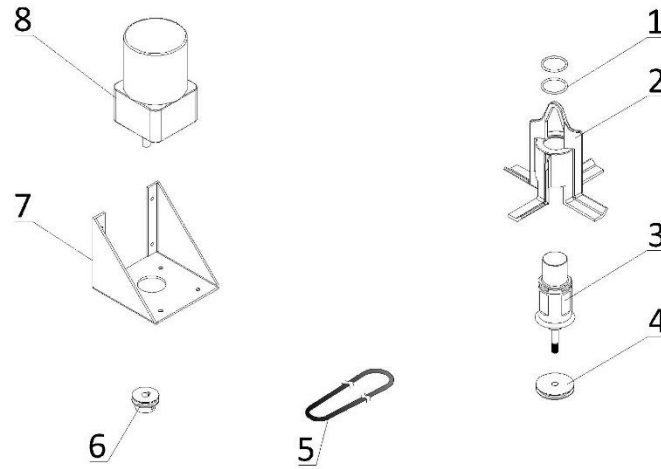
Item	Part Number	Description	Qty.
1	3.4.07.05.007	Gasket - Beater - ϕ 35	1
2	2.1.1.25.0017	Double Helix Beater - 3.4qt - V5	1
3	3.4.02.02.008	Helix Beater Blade - 3.4qt - V5	2
4	2.1.3.26.0005	Seat - Handle - 1F - 3.4qt	1
5	3.4.05.01.001	Handle - Dispensing - SS	1
6	3.4.08.01.012	O-Ring - 3x1.5	1
7	3.6.39.008	Adjustment Screw - Handle - 34mm	1
8	3.4.08.01.013	O-Ring - 5.2x1.9	3
9	2.1.3.27.0027	Retention Pin - Handle - 1F - 3.4qt - L	1
10	3.4.05.02.007	Hand Screw - Medium - Dispensing	4
11	2.1.3.14.0040	Dispensing Door - SS - 1F - 3.4qt - V2	1
12	3.4.05.03.004	Design Cap - Double Triangle - 31mm	1
13	2.1.3.02.0015	Prime Plug - SS - Standard	1
14	2.1.3.01.0004	Draw Valve - SS - 1F - 3.4qt - V2	1
15	3.4.08.01.006	O-Ring - 16.8x2.4	2
16	2.1.1.11.0015	Helix Beater Rod - 3.4qt	1
17	3.4.01.03.008	Beater Guide - SS - 3.4qt - V2	1
18	3.4.08.02.008	Door Gasket - SS - 3.4qt	1

4. Draw Switch and Front Control Panel



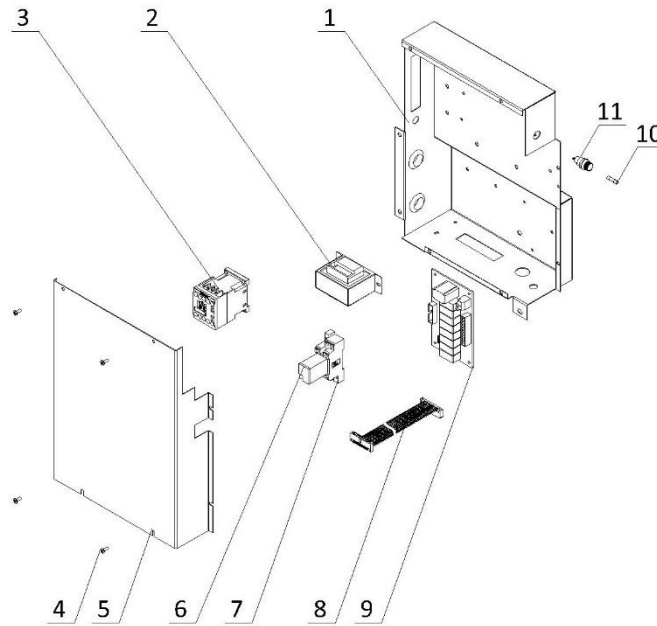
Item	Part Number	Description	Qty.
1	3.1.03.01.002	Micro Switch - KW-7-2	1
2	3.4.07.06.008	Bracket - Micro Switch&Shaft&Spring	1
3	3.6.03.012	Spring - Shaft - Draw Switch	1
4	2.1.3.50.0065	Shaft - Draw Switch - 165mm	1
5	2.3.4.37.052	Panel - Overhead Left - 6236-C/AC	1
6	3.6.22.010	Screw - M5x10	7
7	3.1.03.03.003	Rocker Switch - RK1-01 2X2	1
8	2.3.4.36.005.B	Panel - Overhead Front - 1F - 3.4qt - w/sticker - R2	1
9	920.1.01.0006	Control Board - SS - V2.152 - Horizontal - V2	1
10	3.6.22.028	Screw - M4x12	3
11	3.1.03.04.046	Button Switch - QN16-A3	1
12	2.3.4.39.005	Panel - Overhead Bottom - 6236-C/AC	1
13	2.3.4.38.049	Panel - Overhead Right - 6236-C/AC	1

5. Hopper Agitator



Item	Part Number	Description	Qty.
1	3.4.08.01.034	O-Ring - 31x2	2
2	2.1.1.23.0005	Blade - Hopper Agitator - Standard - V2	1
3	2.1.1.12.0001	Agitator Assembly - 129mm	1
4	2.1.4.02.017	Pulley - Hopper Agitator - Single - 47.6mm	1
5	920.2.09.0005	Belt - Hopper Agitator - 310mm	1
6	3.3.04.04.006	Pulley - Hopper Agitator - Drive - 30mm	1
7	2.3.4.45.003	Bracket - Agitator Motor - 84mm	1
8	3.3.01.01.062	Motor - Agitator - 220V - 4RK25GN-C-4GN6K	1

6. Electrical Box



Item	Part Number	Description	Qty.
1	2.2.4.17.0116	Electrical Box - 6236-C/AC	1
2	3.1.01.04.014	Transformer - 50W - LTT5032OF-31	1
	3.1.01.04.007	Transformer - 50W - 50313MW-32 (Alternative)	1
3	3.1.01.01.010	Contactor - 220V - 3RT6017-1AN21	1
4	3.6.19.001	Screw - M4x8	4
5	2.2.4.20.0099	Cover - Electrical Box - 6236-C/AC	1
6	3.1.01.03.029	Intermediate Relay - AC220V - HH54P-L	1
7	3.1.01.03.031	Base - Relay - TP514X1-E	1
8	3.1.04.01.003	Ribbon Cable - 20 Pin	1
9	2.2.1.01.0040	Power Board - SS - V2.154	1
10	3.1.02.08.002	Fuse - 0.5A	1
11	3.1.02.08.012	Seat - Fuse - 250V	1