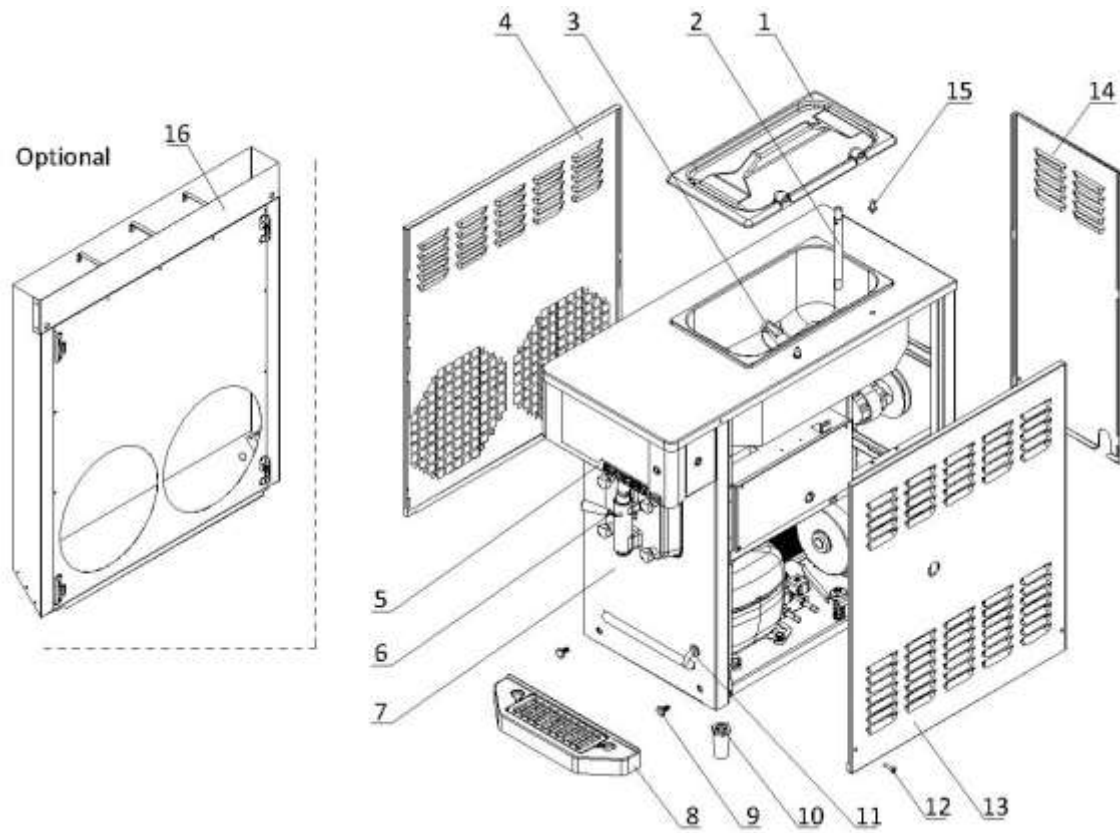


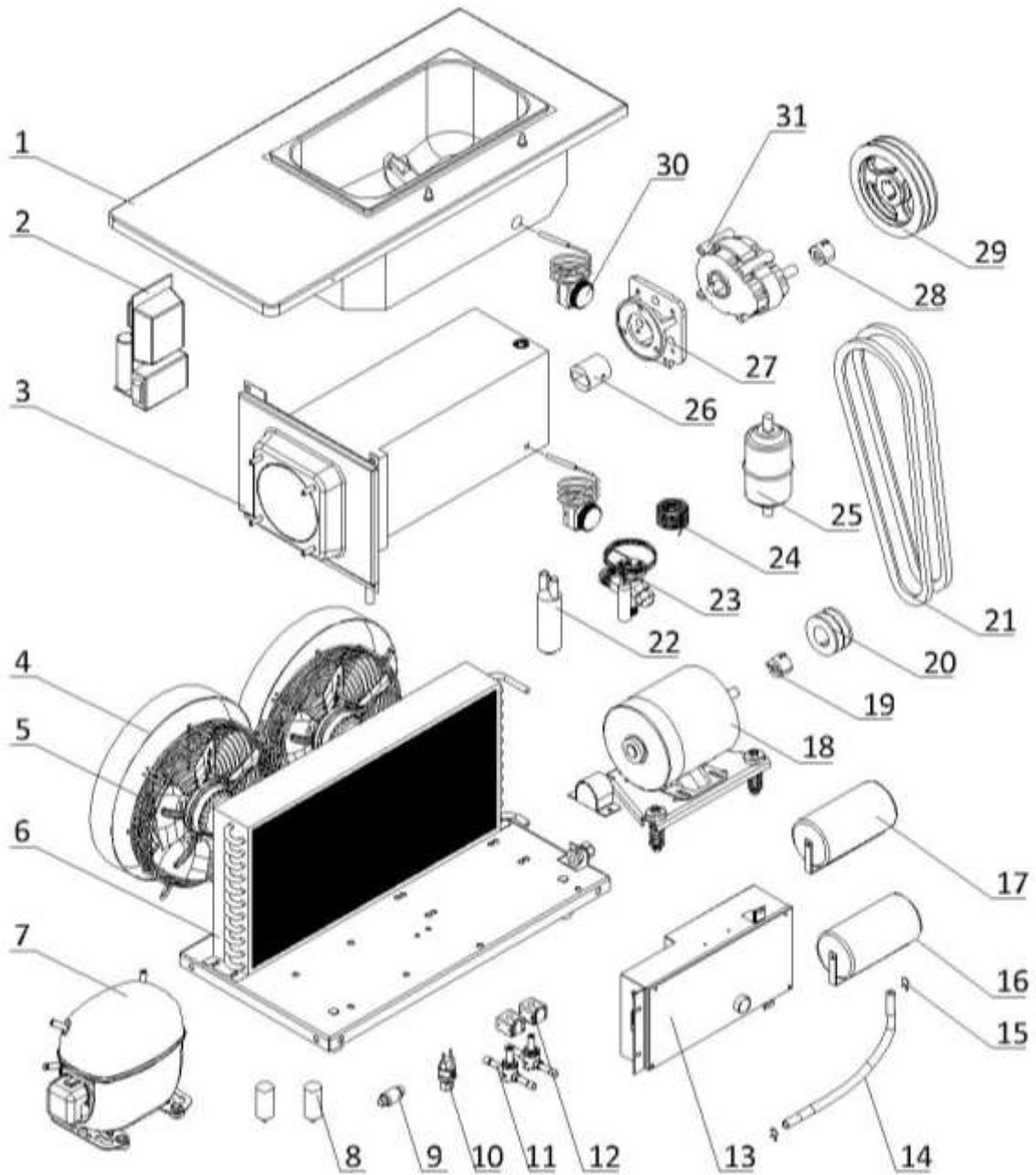
1. External Parts



1. External Parts

Item	Part Number	Description	Qty.
1	3.4.03.01.004	Hopper Lid - 12-15L	1
2	2.1.3.39.0006	Air Tube - FB	1
3	920.1.04.0002	Mix Low Sensor Assembly	1
4	2.3.4.28.093	Panel - Left - 6650-CL	1
5	Page 6	Draw Switch and Front Control Panel	1
6	Page 5	Dispensing Door and Beater	1
7	2.3.4.26.089	Panel - Lower Front - 6650-CL	1
8	3.4.04.01.018	Front Drip Tray - 372mm - V3	1
9	3.6.39.004	Drip Tray Mounting Bolt	2
10	3.3.05.03.005	Leg - 68mm	4
11	2.1.1.20.0124	Drain Nozzle - Front	1
12	3.6.22.030	Screw - M6x25	6
13	2.3.4.30.077	Panel - Right - 6650-CL	1
14	2.3.4.23.104	Panel - Rear - 6650-CL	1
15	3.6.39.011	Hopper Lid Holder	2
16	920.1.08.0013	Air Chute Assembly - 6650-CL (Optional)	1

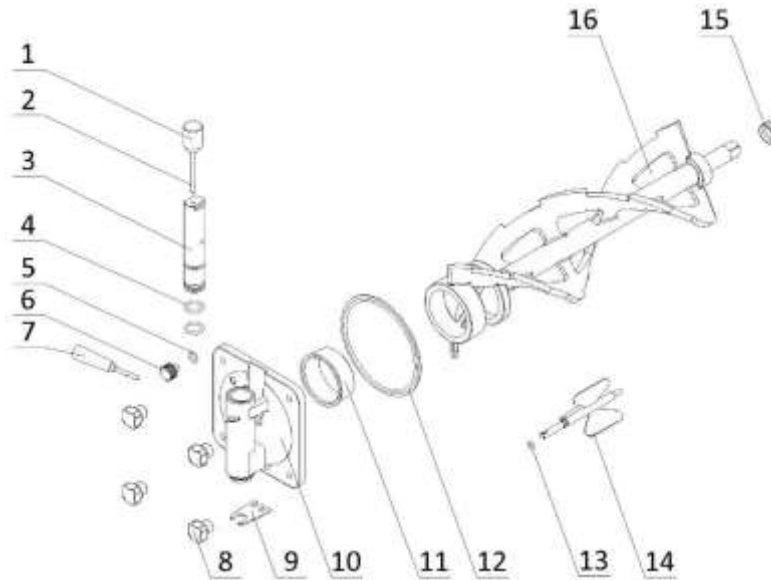
2. Internal Parts



2. Internal Parts

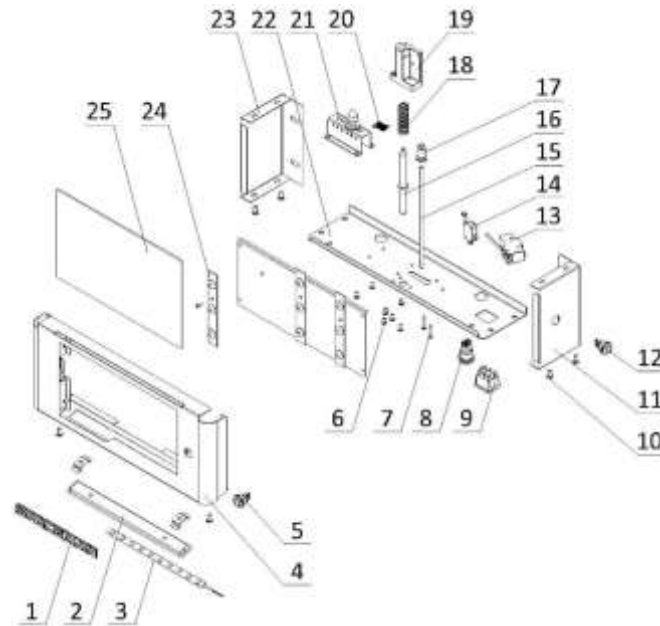
Item	Part Number	Description	Qty.
1	2.1.1.02.0074	Hopper Assembly - 6650-CL	1
2	3.2.01.04.014	Start Component - Compressor - SC18CLX.2	1
3	2.1.1.06.0178	Cylinder Assembly - 6650-CL	1
4	2.1.3.50.0069	Fan Shroud - 93cm	2
5	3.2.03.04.004	Fan Motor - 110/60/1 - YWF4E-250S	2
6	3.2.02.01.015	Main Condenser - Single - 6m ²	1
7	3.2.01.02.028.A	Primary Compressor - SC18CLX.2	1
8	3.2.03.04.004-2	Capacitor - Fan Motor - 450V - 8 μ F - MKPR	2
9	3.2.04.05.012	Copper Strainer Filter - ϕ 9.52	1
10	3.2.04.06.004	High Pressure Switch - 350~500psi	1
11	3.2.04.04.058	Solenoid Valve Body - KDF6H01	2
12	3.2.04.04.070	Solenoid Coil - FQ-A05120-001098	2
13	Page 7	Electrical Box	1
14	3.7.06.025-3	Drain Hose - ϕ 9 \times 14 - 540mm	1
15	3.6.05.024	Squeeze Clamp - Drain Hose - M13	2
16	3.1.02.22.063	Capacitor - Start - 165V - 416.5 μ F	1
17	3.1.02.22.010	Capacitor - Running - 370V - 50 μ F	1
18	3.3.01.07.011	Motor - 115/60/1 - 450W - K56AC67F41	1
19	3.3.04.01.005	Bushing - 1008-16	1
20	3.3.04.02.001	Pulley - Beater Motor - SPA63-2-1008	1
21	3.3.03.01.026	Belt - Motor to Beater - V-XPA800	2
22	3.2.04.07.002	Suction Accumulator - 30 \times 155 \times 10	1
23	3.2.04.01.011	Thermal Expansion Valve - TUB2131	1
24	3.2.05.01.008	Capillary Tube - 2.07 \times 1.07	1
25	3.2.04.05.002	Filter Drier - Cylinder - DML083S	1
26	3.3.02.03.006	Coupling Drive - 3.4qt-4.0qt-7.3qt - 20mm - V3	1
27	2.1.3.15.0004	Bracket - Gear Box - 3.4-7.3qt - 89mm	1
28	3.3.04.01.008	Bushing - 1610-16	1
29	3.3.04.02.023	Pulley - Gear Box - SPA112-2-1610	1
30	3.1.01.07.003	Thermostat - 0-40 $^{\circ}$ C	1
	3.1.01.07.002	Thermostat - \pm 30 $^{\circ}$ C (Alternative)	1
31	3.3.02.01.033	Gear Box - 1:4.92 - 75*20 Shaft - 89mm	1

3. Dispensing Door and Beater



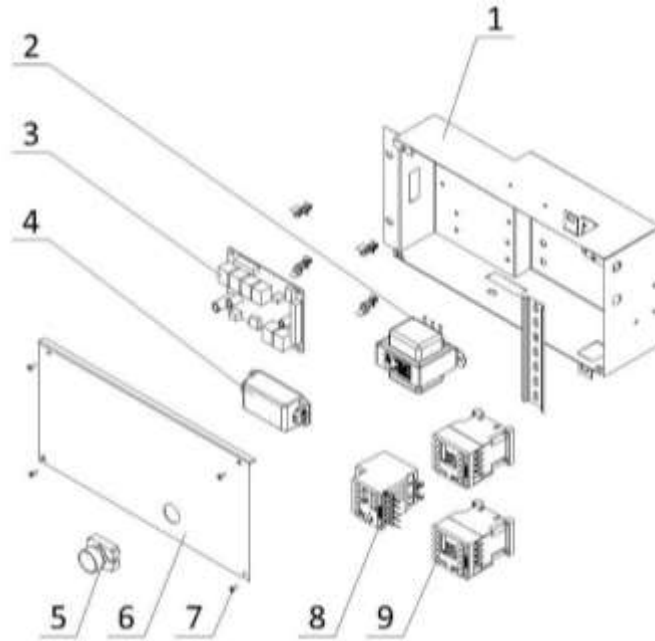
Item	Part Number	Description	Qty.
1	2.1.3.36.0004	Weight - Draw Valve - FB	1
2	2.1.3.36.0003	Pin - Draw Valve - FB	1
3	2.1.3.01.0006	Draw Valve - FB	1
4	3.4.08.01.036	O-Ring - 19x3.55	2
5	3.4.08.01.008	O-Ring - 11.5x2.5	1
6	3.4.07.08.001	Prime Plug - FB	1
7	3.4.05.01.002	Handle - Dispensing - FB	1
8	2.1.3.32.0004	Hand Screw - Dispensing - FB	4
9	2.1.4.04.014	Ice Buster - Dispensing - FB	1
10	2.1.3.14.0006	Dispensing Door - FB	1
11	3.4.01.03.016	Beater Guide - FB - V3	1
12	3.4.08.02.012	Door Gasket - FB - V2	1
13	3.4.08.01.017	O-Ring - 11x2.4	1
14	2.1.1.31.0008	Torque Rotor - FB - V4	1
15	3.4.07.05.007	Gasket - Beater - φ35	1
16	2.1.1.25.0019	Beater - FB - 7.3qt - V3	1

4. Draw Switch and Front Control Panel



Item	Part Number	Description	Qty.
1	3.1.06.09.003	Emblem - SPACEMAN - 170x16	1
2	3.6.42.005	Bracket - LED Light Strip - 1707A - 231	1
3	3.1.02.14.020	LED Light Strip - STH-2835W-120D-12V-12W - 6000K	1
4	2.1.1.20.0149	Panel - Overhead Front - 6450/6650-CL	1
5	3.1.02.14.014	RGB Light - YM16/ZST/12V/3S+	1
6	3.6.22.028	Screw - M4x12	7
7	3.6.22.027	Screw - M4x30	2
8	3.1.03.04.039	Button Switch - QN19-C7	1
9	3.1.03.03.009	Rocker Switch - RK1-01 2X3	1
10	3.6.22.010	Screw - M5x10	6
11	2.3.4.37.070	Panel - Overhead Side - 6450/6455/6650-CL	1
12	3.1.03.04.046	Button Switch - QN16-A3	1
13	3.1.03.02.002	Micro Switch - Torque Lever	1
14	3.1.03.01.002	Micro Switch - KW-7-2	1
15	2.1.4.04.025	Torque Arm - 185mm	1
16	2.1.3.50.0088	Shaft - Draw Switch - 120.3mm	1
17	2.1.4.04.024	Bracket - Spring - FB	1
18	3.6.03.012	Spring - Shaft - Draw Switch	1
19	3.4.07.06.008	Bracket - Micro Switch&Shaft&Spring	1
20	3.6.02.003	Spring - Viscosity - 0.5mm	1
21	920.1.03.0004	Control Levers - Viscosity Adjustment - V2	1
22	2.3.4.39.100	Panel - Overhead Bottom - 6450/6650-CL	1
23	2.3.4.37.069	Panel - Overhead Side - 6450/6650-CL	1
24	3.1.02.14.025	LED Light Bar - STH-B12T130W3B170 - 6500K - 12V	3
25	3.4.07.10.005	Flavor Panel - 264x160	1

5. Electrical Box



Item	Part Number	Description	Qty.
1	2.2.4.17.0119	Electrical Box - 6450/6650-CL	1
2	3.1.01.04.014	Transformer - 50W - LTT5032OF-31	1
	3.1.01.04.007	Transformer - 50W - 50313MW-32 (Alternative)	1
3	2.2.1.01.0051	Control Board - FB - F5	1
4	3.1.01.05.034	Power Supply - MPM-30-12ST	1
5	3.1.03.04.032	Reset Button - Thermal Overload-6650	1
6	2.2.4.20.0104	Cover - Electrical Box - 6450/6650-CL	1
7	3.6.19.001	Screw - M4x8	4
8	3.1.01.02.012	Thermal Overload Relay - 3RU6116-1HB0	1
9	3.1.01.01.011	Contactor - 3RT6017-1AF01	2